

# metro

## acoustics

silent solutions

### Metro Eco-Bord 9.5mm PET Panels

#### Specifications

#### PHYSICAL PROPERTIES

- Dimensions: 48" X 96"
- Thickness: 9.5 mm
- Weight: 1500 grams/square meter, 44 oz/square yard
- Flame & Smoke: CAN/ULC-S102.2 , ASTM E84 Class A
- NRC: .30 (when applied directly to substrate)
- Edge Detail: Square

#### HOW TO SPECIFY

- Product name & code
- Dimensions
- Colour

#### MATERIALS

The panels are composed of 100% polyester fibre, 60% of which is recycled PET fiber, and contributes to LEED certification.

Available in 35 colours.

The felting and dyeing process that forms the material contributes to its unique texture but also to variations in texture and colour from panel to panel. Products will be provided within an acceptable range of variation.

#### ADHESIVE

- Use heavy duty construction adhesive

#### Step 1

Apply non-solvent, heavy duty construction adhesive to the back of the panel. Approximately one 290 ml (10 fl oz) tube of construction adhesive required per 48" x 96" panel.

#### Step 2

Press panel onto the wall and hold until adhesive sets. Brad nails can be used to hold the panel in place as the adhesive cures while also acting as additional mounting support.

#### Optional

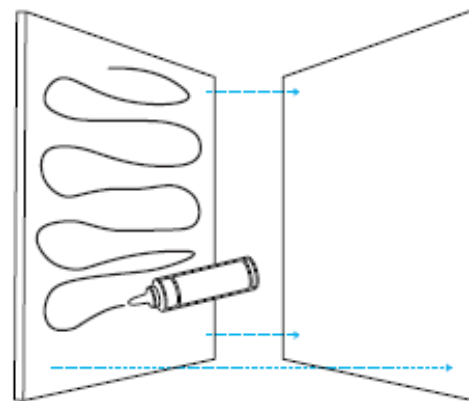
Fasten the panel to the wall with a brad nailer using 18-gauge brad nails. Insert the brad nails in inconspicuous areas, such as near the edges of the panel, as tiny perforations may be visible in the material after insertion.

#### Caution

Pressing the safety release trigger of the brad nailer into the panel with too much force may leave a dent in the material. Consider placing other material on top of the panel to activate the nailer while avoiding indentation when firing.

#### INSTALLATION

Installation method should be specified at the time of installation.



# metro

## acoustics

silent solutions

### Metro Eco-Bord 9.5mm PET Panels Specifications

---

#### PRODUCT CARE

##### HANDLING & STORAGE

- Handle products with care so as to avoid folding the polyester felt, chipping its edges or indenting its faces.
- Store products in their original containers in a well-ventilated area until the intended application environment is ready for installation.
- Allow products to acclimatize to environmental conditions.
- Lay them flat on their faces; do not stand them on their edges.
- Protect from moisture, heat, direct sunlight and the elements.

##### MAINTENANCE

- Lightly brush or gently vacuum to remove dust from polyester felt.
- Clean with warm water and mild, non-toxic soap to remove spills.
- Test solution on an inconspicuous spot before applying to more visible areas.
- Blot with a dry cloth after applying the solution to avoid saturating the material.
- Avoid applying too much pressure when cleaning the products.

---

##### DISINFECTING

- If there is a need for infection control, bleach can be used in accordance with CDC Cleaning and Disinfection instructions.
- The solution ratio should be 5 tablespoons of bleach to 1 Gallon of water or 4 teaspoons of bleach per quart of water.
- Spray apply the solution as a mist and then wipe off the surface moisture to help spread the bleach solution.
- Always try these methods in an inconspicuous place on the product prior to trying on a visible area.

##### WARRANTY

Metro Wallcoverings warrants the construction and finish of all our products to be free from defects in material and workmanship for a period of 1 year from the date of purchase.